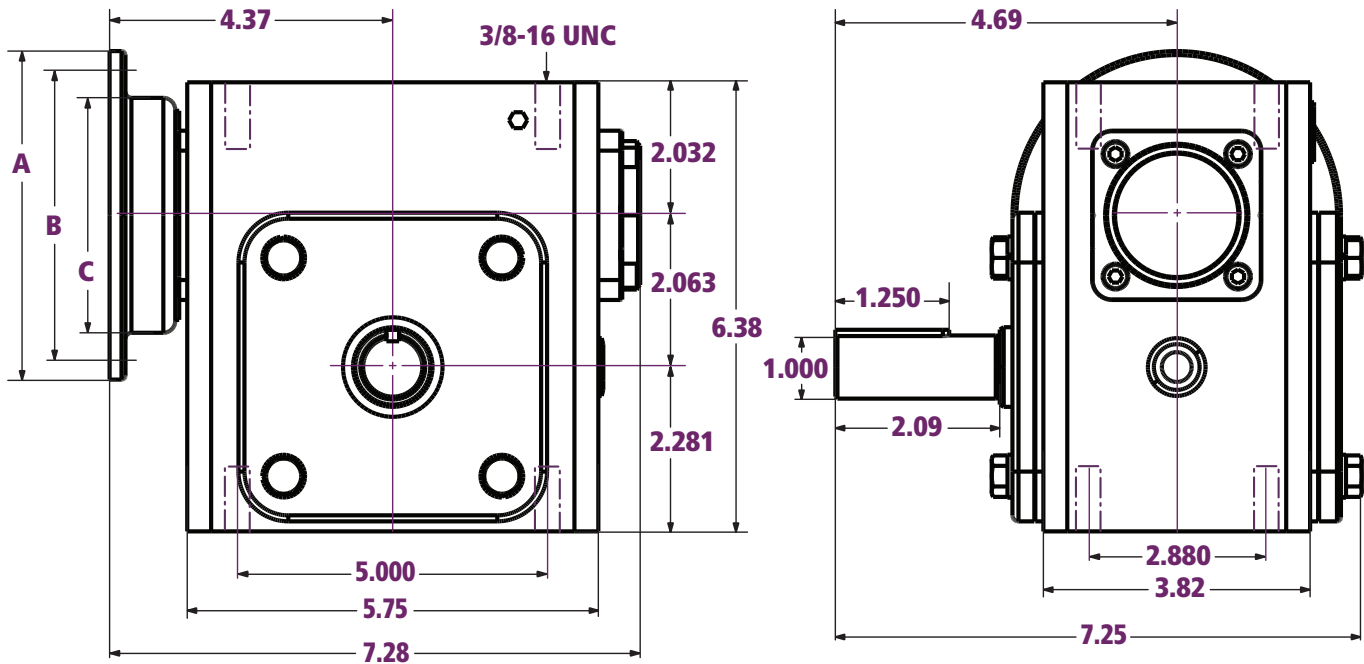




# X206 Dimensions

All dimensions listed in inches



## Motor Options & Dimensions (in)

NEMA Frame	Motor Shaft Dia. (in)	A	B	C
		OD Flange	Bolt Circle	Pilot Bore
56C	0.625	6.50	5.88	4.5

## Specifications

Center Distance (in)	Weight (lbs)	Est. Oil Fill Amount* (oz)
2.063	28.6 [29.7] <sup>†</sup>	17.3

\*For Position 1

<sup>†</sup>Approximate weight for LR Handing

## Output Shaft

Output Shaft (in)	Output Keyway (in)
1.000	1/4 x 1/8

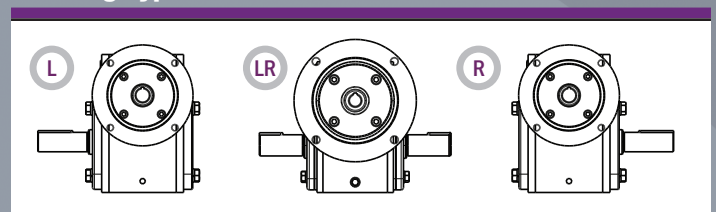
## Ratios

Nominal Ratios	Exact Ratios
5:1	5.8:1
10:1	10.3:1
15:1	15.5:1
20:1	19.5:1
30:1	30.0:1
40:1	40.0:1
50:1	50.0:1
60:1	60.0:1

## Efficiency

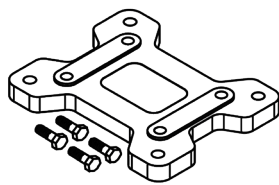
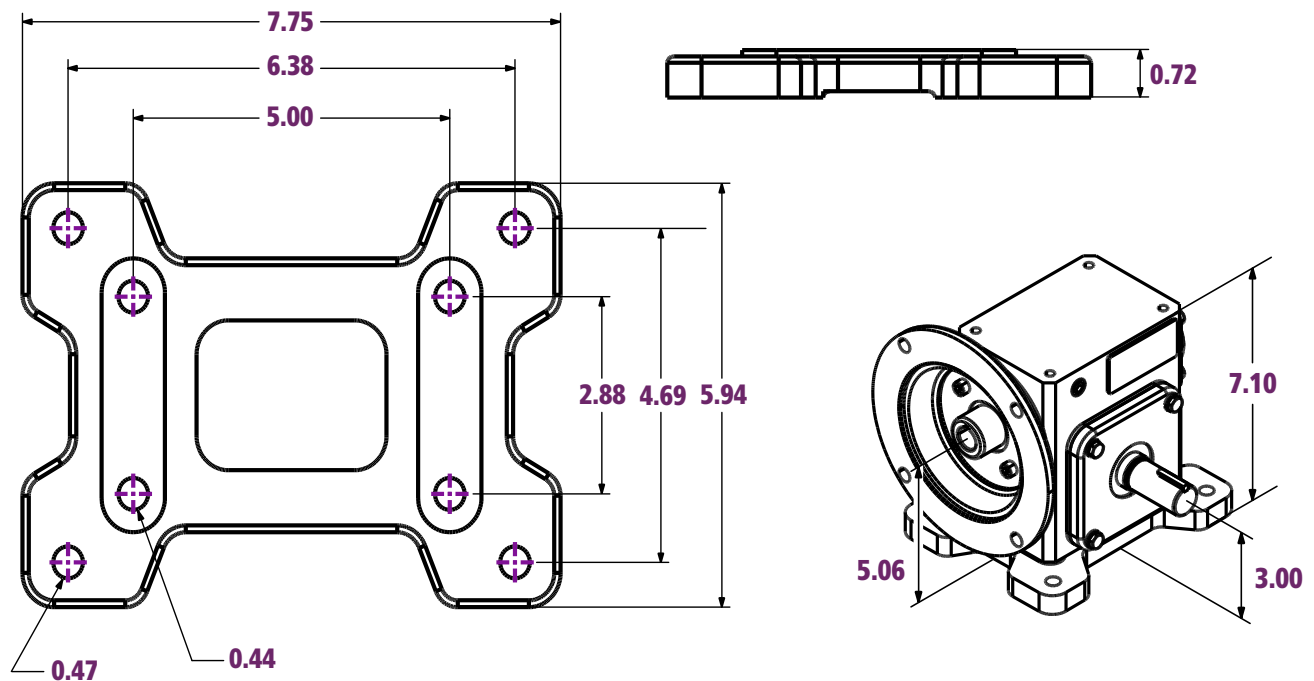
Nominal Ratios	Efficiency (%)
5:1	≈ 92
10:1	≈ 90
15:1	≈ 85
20:1	≈ 82
30:1	≈ 73
40:1	≈ 71
50:1	≈ 62
60:1	≈ 58

## Handing Types



# X206 Accessories

## and X206 Base Kit Dimensions



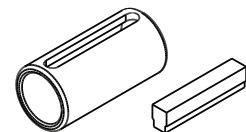
**Foot Mounted Base Kit**

XBK206



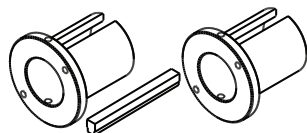
**Component Repair Kit**

XRK206



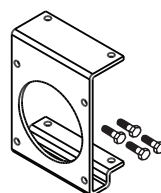
**Input Quill Adapter Option**

None



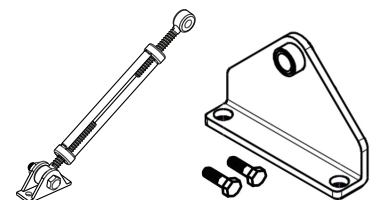
**Output Bushing Kits\***

Not Applicable



**Output Bracket Kit\***

XOB206



**Torque Arm Kit\***

XTA206

\*Made to order.